

VIOLIN™

Crystalline PV Module

Baseline CHSM6612P Series

Baseline CHSM6612P/HV Series

- ▶ With innovational 4-busbar cells
- ▶ Increasing cell efficiency
- ▶ Reducing cell series resistance
- ▶ More power output

CHSM6612P is 1000V standard, CHSM6612P/HV is 1500V standard.



305 310 315 320 325

EN

ELECTRICAL SPECIFICATIONS

	305	310	315	320	325
STC rated output (P _{mpp})*	305 Wp	310 Wp	315 Wp	320 Wp	325 Wp
PTC rated output (P _{mpp})**	277.9 Wp	282.5 Wp	287.2 Wp	291.9 Wp	296.6 Wp
Standard sorted output	0/+5 Wp				
Warranted power output STC (P _{nominal})	305 Wp	310 Wp	315 Wp	320 Wp	325 Wp
Rated voltage (V _{mpp}) at STC	35.77 V	35.80 V	35.83 V	35.86 V	36.31 V
Rated current (I _{mpp}) at STC	8.53 A	8.68 A	8.80 A	8.92 A	8.95 A
Open circuit voltage (V _{oc}) at STC	45.29 V	45.42 V	45.55 V	45.68 V	45.82 V
Short circuit current (I _{sc}) at STC	8.95 A	8.99 A	9.02 A	9.06 A	9.10 A
Module efficiency	15.8%	16.0%	16.3%	16.5%	16.8%
Rated output (P _{mpp}) at NOCT	213.0 Wp	216.5 Wp	220.0 Wp	223.5 Wp	226.9 Wp
Rated voltage (V _{mpp}) at NOCT	32.67 V	32.70 V	32.71 V	32.72 V	33.18 V
Rated current (I _{mpp}) at NOCT	6.52 A	6.62 A	6.73 A	6.83 A	6.84 A
Open circuit voltage (V _{oc}) at NOCT	41.56 V	41.68 V	41.80 V	41.92 V	42.04 V
Short circuit current (I _{sc}) at NOCT	6.92 A	6.95 A	6.98 A	7.01 A	7.04 A
Temperature coefficient (P _{mpp})	- 0.408%/K				
Temperature coefficient (I _{sc})	+0.050%/K				
Temperature coefficient (I _{mpp})	- 0.003%/K				
Temperature coefficient (V _{mpp})	- 0.406%/K				
Temperature coefficient (V _{oc})	- 0.311%/K				
Normal operating cell temperature (NOCT)	46±2°C				
Maximum system voltage (UL/IEC)	1000/1500 Vdc				
Number of diodes	6 (or 3)				
Maximum series fuse rating	15 A				

* Measurement tolerance +/- 3%

** Estimated



RELATED PARAMETERS

Cell type	polycrystalline
Number of cells / cell arrangement	72 / 6 x 12
Cells dimension	6"
Packing unit	25 modules
Weight of packing unit	606.3 kg / 1337 lbs

MECHANICAL SPECIFICATIONS

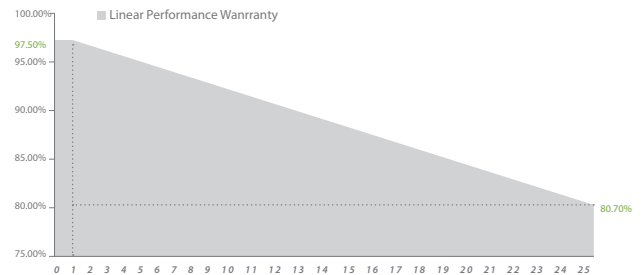
Outer dimensions (L x W x H)	1954 x 990 x 40 mm 76.93 x 38.98 x 1.57 in
Frame technology	Aluminum, silver anodized
Module composition	Glass / EVA / Backsheet (white)
Weight (module only)	22.0 kg / 48.5 lbs
Front glass thickness	3.2 mm / 0.13 in
Junction box IP rating	IP 65 (above)
^① Cable length (UL/IEC)	900(+)/600(-)mm / 35.43/23.62 in
Cable diameter (UL/IEC)	12 AWG / 4 mm ²
^② Maximum load capacity	2400 Pa
Fire performance (UL/IEC)	Type 1 (UL) or Class C (IEC)
Connector type (UL/IEC)	MC4 compatible

^① Option: 1000mm or 1150mm for defined projects in advance.

^② Refer to Astronergy crystalline installation manual.

QUALIFICATION AND LINEAR WARRANTIES

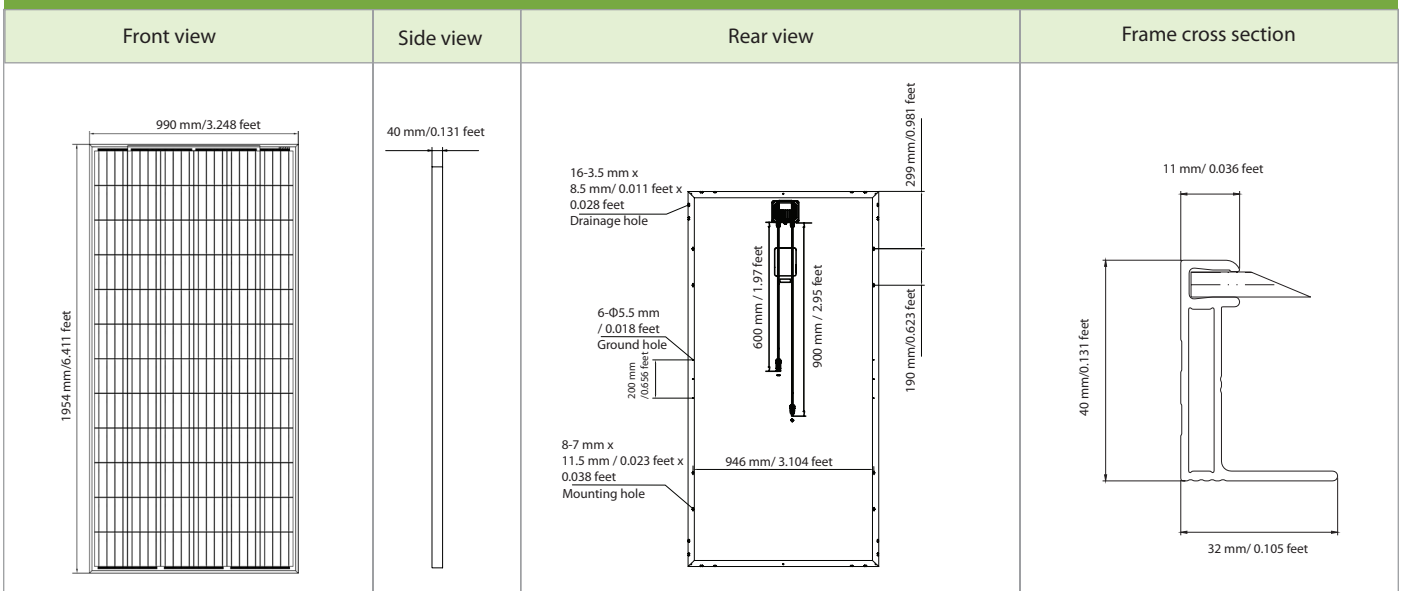
Product standard	IEC 61215, 61730 / UL1703
Extended product warranty	10 years
Output decline 2.5%/year performance P _{mpp} (STC)	1 st year
Output decline 0.7%/year performance P _{mpp} (STC)	2 nd - 25 th years



ARTICLE NUMBER

Model	Article No. (IEC)	Article No. (UL)
(VIOLIN) CHSM6612P-305	200589	200595
(VIOLIN) CHSM6612P-310	200590	200596
(VIOLIN) CHSM6612P-315	200591	200597
(VIOLIN) CHSM6612P-320	200592	200598
(VIOLIN) CHSM6612P-325	200593	200599
(VIOLIN) CHSM6612P/HV-305	500070	500076
(VIOLIN) CHSM6612P/HV-310	500071	500077
(VIOLIN) CHSM6612P/HV-315	500072	500078
(VIOLIN) CHSM6612P/HV-320	500073	500079
(VIOLIN) CHSM6612P/HV-325	500074	500080

MODULE DIMENSION DETAILS



© Chint Solar (Zhejiang) Co., Ltd. Reserves the right of final interpretation.
 Specifications and designs included in this datasheet are subject to change without notice.