

# SC15-72<sup>P</sup>AE

## 325~340W

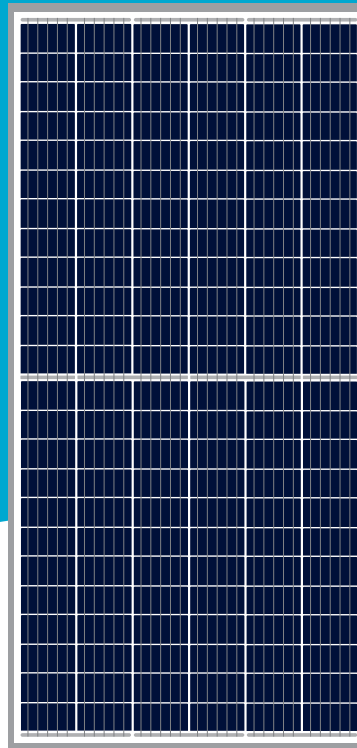
### HALF-CUT Series

1,500V Polycrystalline PV Module

### CERTIFICATIONS

IEC 61215, 61730 / UL 61730  
 ISO 9001 : Quality Management System  
 ISO 14001 : Environmental Management System  
 ISO 45001 : Occupational Health & Safety System

Silver



### FEATURES



#### Enhanced External Load/Impact

Snow Load : 5,400 Pa  
 Wind Load : 2,400 Pa



#### PID Resistance

Enhanced Potential Induced Degradation Resistance



#### Fire Safety

Spread of Flame Class A  
 Burning Brand Class C



#### Higher output power

0~+5Wp,  
 Higher than rated power



#### Excellent performance under low light conditions

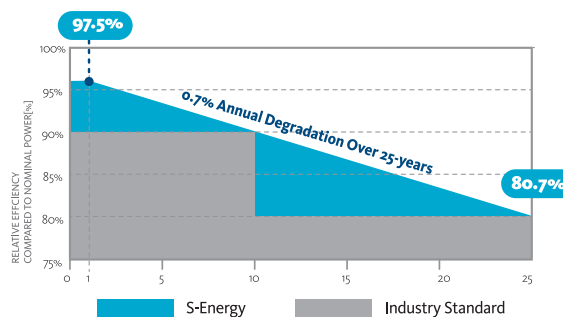
Cloudy days, mornings and evenings



### WARRANTY

**12** -YEARS PRODUCT WARRANTY

**25** -YEARS LINEAR PERFORMANCE WARRANTY



S-Energy Co., Ltd.

S-Energy America  
 (SEAI America, Inc.)

S-Energy Chile  
 (S-Energy Chile SpA)

S-Energy Japan<sub>Osaka</sub> Headquarters  
 (S-Energy Japan Co., Ltd.)

S-Energy Japan<sub>Tokyo</sub> Branch  
 (S-Energy Japan Co., Ltd.)

**A** 20 PanGyoYeok-Ro 241BeonGil, BunDang-Gu, SeongNam-Si, GyeongGi-Do, Korea (3F MiraeAsset Tower)  
**T** +82-70-4339-7100 **F** +82-70-4339-7199 **E** inquiry@s-energy.com

**A** 18022 Cowan, Suite 260, Irvine, CA 92614, U.S.A.  
**T** +1-949-281-7897 **F** +1-949-281-7893 **E** sales.us@s-energy.com

**A** Av. Cerro El Plomo N°5420, Office 402, Las Condes, Santiago, Chile  
**T** +56-22-604-8111 **E** sales.cl@s-energy.com

**A** 8F, MJ Abeno Bldg., 1-5-1, Maruyama-dori, Abeono-ku, Osaka-shi, Osaka, Japan  
**T** +81-6-4703-5388 **F** +81-6-4703-5387 **E** sales.jp@s-energy.com

**A** Fukuroku Building 2F, 2-7 Kanda-Tsukasamachi, Chiyoda-ku, Tokyo, Japan  
**T** +81-3-6261-3759 **F** +81-3-6261-3769 **E** sales.jp@s-energy.com

Homepage

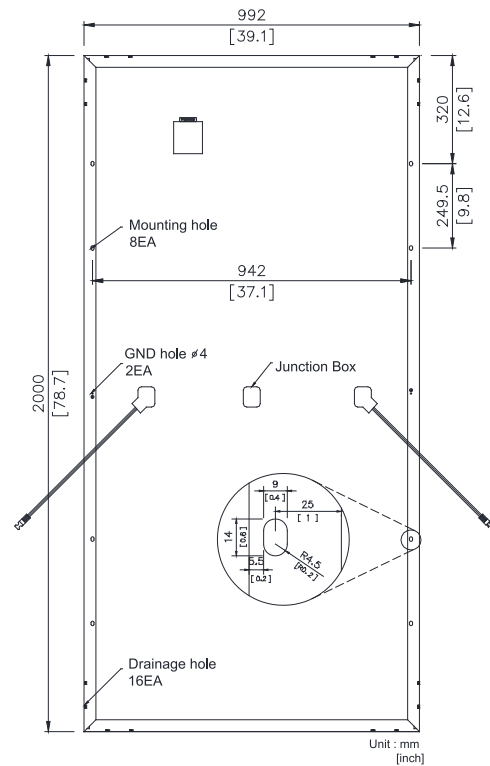


## ELECTRICAL CHARACTERISTICS

STC (Irradiance 1,000W/m <sup>2</sup> , module temperature 25°C, AM=1.5)	SC15-72PAE-325D	SC15-72PAE-330D	SC15-72PAE-335D	SC15-72PAE-340D
Rated Power (Pmax)	325W	330W	335W	340W
Voltage at Pmax (Vmp)	37,07V	37,21V	37,36V	37,51V
Current at Pmax (Imp)	8,77A	8,87A	8,97A	9,07A
Warranted Minimum Pmax	325W	330W	335W	340W
Short-Circuit Current (Isc)	9,21A	9,30A	9,39A	9,46A
Open-Circuit Voltage (Voc)	46,08V	46,21V	46,33V	46,45V
Module Efficiency	16,38%	16,63%	16,89%	17,14%
Operating Module Temperature	-40°C to + 85°C			
Maximum System Voltage	1,500V			
Fuse Rating	20A			
Maximum Reverse Current	27A			
Power Tolerance	0 ~ +5W			

## MECHANICAL CHARACTERISTICS

<b>Solar Cells</b>	Polycrystalline Cells 156,75x78,375mm
<b>Number of Cells</b>	72 Half Cells (6x24 Matrix)
<b>Dimensions</b>	2,000 x 992 x 40mm
<b>Front Load</b>	5,400Pa
<b>Rear Load</b>	2,400Pa
<b>Weight</b>	22,7kg
<b>Glass</b>	3,2mm High-Transmittance Low Iron Tempered Glass
<b>Frame</b>	Anodized Aluminum Frame (Silver)
<b>J-Box</b>	≥ IP67 with 3 bypass diodes
<b>Output Cables</b>	PV Wire (PV1-F), 12AWG (4mm <sup>2</sup> ), Cable Length : 300/1,000mm
<b>Connectors</b>	MC4 Original, Compatible

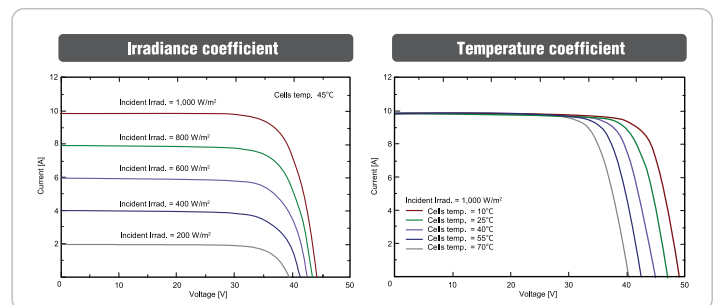


## TEMPERATURE CHARACTERISTICS

Temperature coefficient of Isc	0,057 % / °C
Temperature coefficient of Voc	-0,308 % / °C
Temperature coefficient of power	-0,406 % / °C
NOCT (Tair 20°C ; Irradiance 800W/m <sup>2</sup> ; Wind 1m/s)	45±2 °C

## PACKING CONFIGURATION

Container	20'	40'
Modules Per Pallet	27pcs	27pcs
Pallets Per Container	10pallets	22pallets
Modules Per Container	270pcs	594pcs



### REMARKS

- Pmax measurement tolerance : ±2,5%
- S-Energy uses triple A class simulator.
- Specification subject to change without prior notice.
- S-Energy reserves the rights of final interpretation.

### NOTES

- Installation instruction supplied with the module must be duly followed.
- For further information which is not mentioned on installation guides or directions, please contact to our technical service department.
- E-mail : Inquiry@s-energy.com