

PremiumLine
Made for America

285W 290W 295W 300W
60-Cell with new mono PERC technology

PremiumLine Black/Silver GSM6

German engineered, PremiumLine modules are designed and built to achieve top quality performance, maximize energy production and ensure long-lasting durability. Each PremiumLine module is assembled with our automated manufacturing processes. And the PremiumLine surpasses strict in-house and independent testing, guaranteeing the high level of quality our engineers stand behind.



With Newest
**PERC Solar-Cell
Technology**



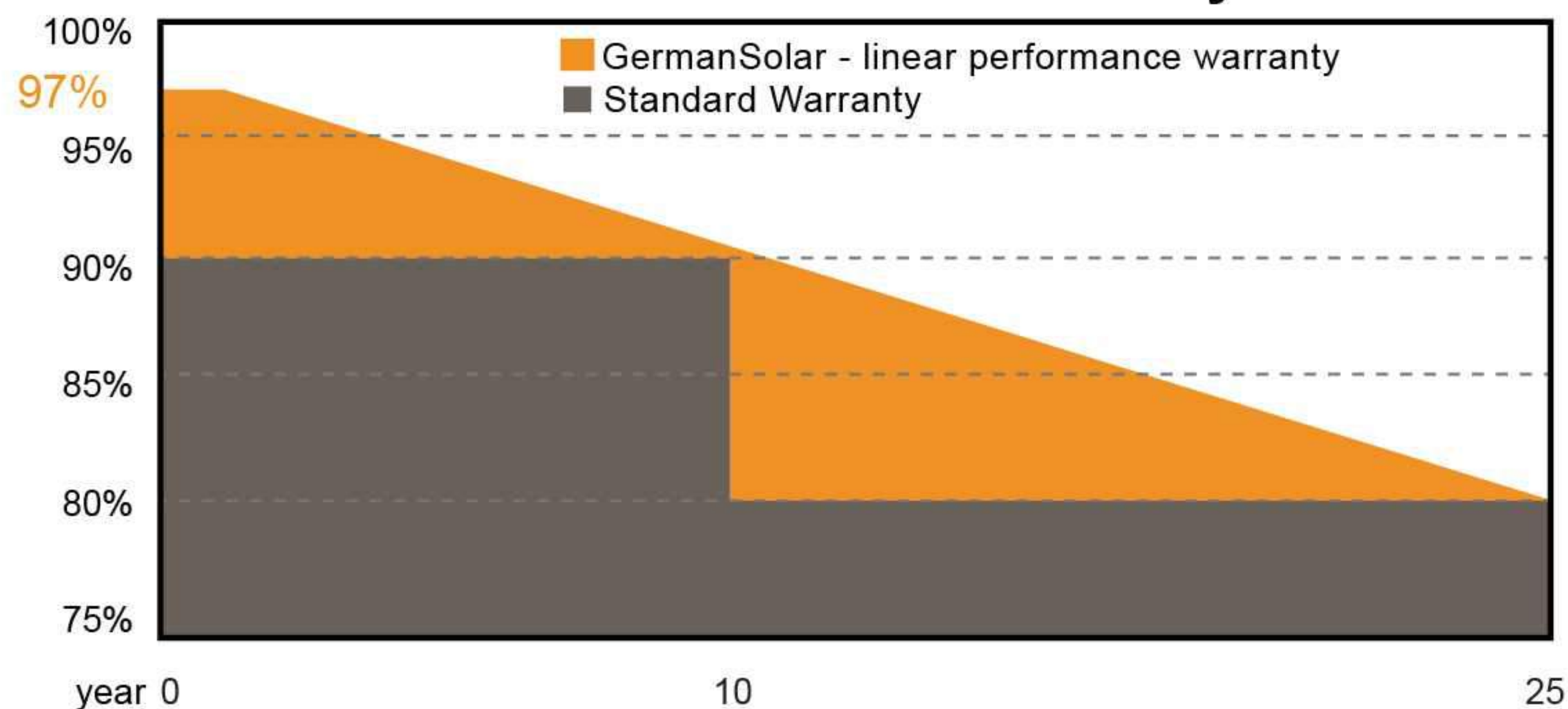
Built-in durability

GermanSolar only uses premium materials. To eliminate the possibility of hotspot formation thoroughly, strict control-criteria mandate a thermal picture of each cell before and after processing.

25-year linear performance warranty

Our 25-year linear performance warranty covers for power loss less than 3% in the first year and only 0.35% degradation per year thereafter.

25-Year Linear Performance Warranty



MADE FOR AMERICA WITH QUALITY VALUE



Best price-performance ratio



Highest performance due to new cell technologies and high quality materials



25-year linear performance warranty



12-year product warranty



Up to 4.99 W more power performance with positive cell-sorting to guarantee higher yield



1000V UL



High quality j-box with connectors for long-time durability



Potential induced degradation (PID) Free



100% Effective hotspot-prevention processes with micro crack inspection ensure durability



More power due to better power tolerance: $\pm 3\%$



Better performance in diffused sunlight and high temperature



High ammonia and salt mist resistance certified



Glass with anti-reflective coating



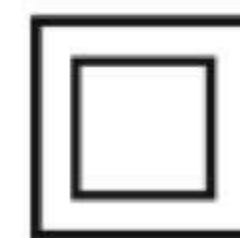
Individual testing and surveying, quality assurance by permanent production control incl. EL-test



UV stabilized, aesthetically pleasing black anodized frame



Module Fire Performance
TYPE 2 (UL 1703)
CLASS C (IEC61730)



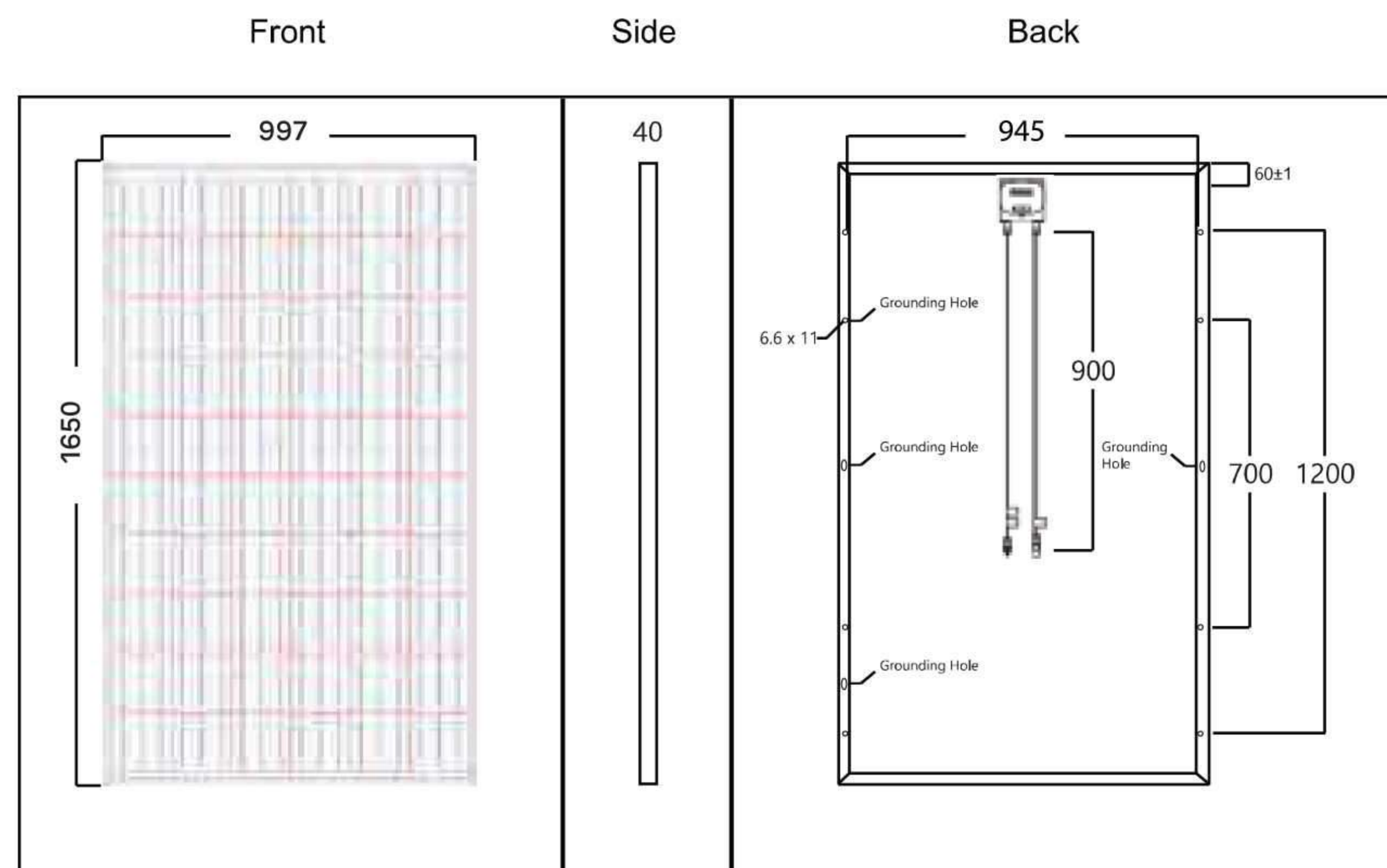
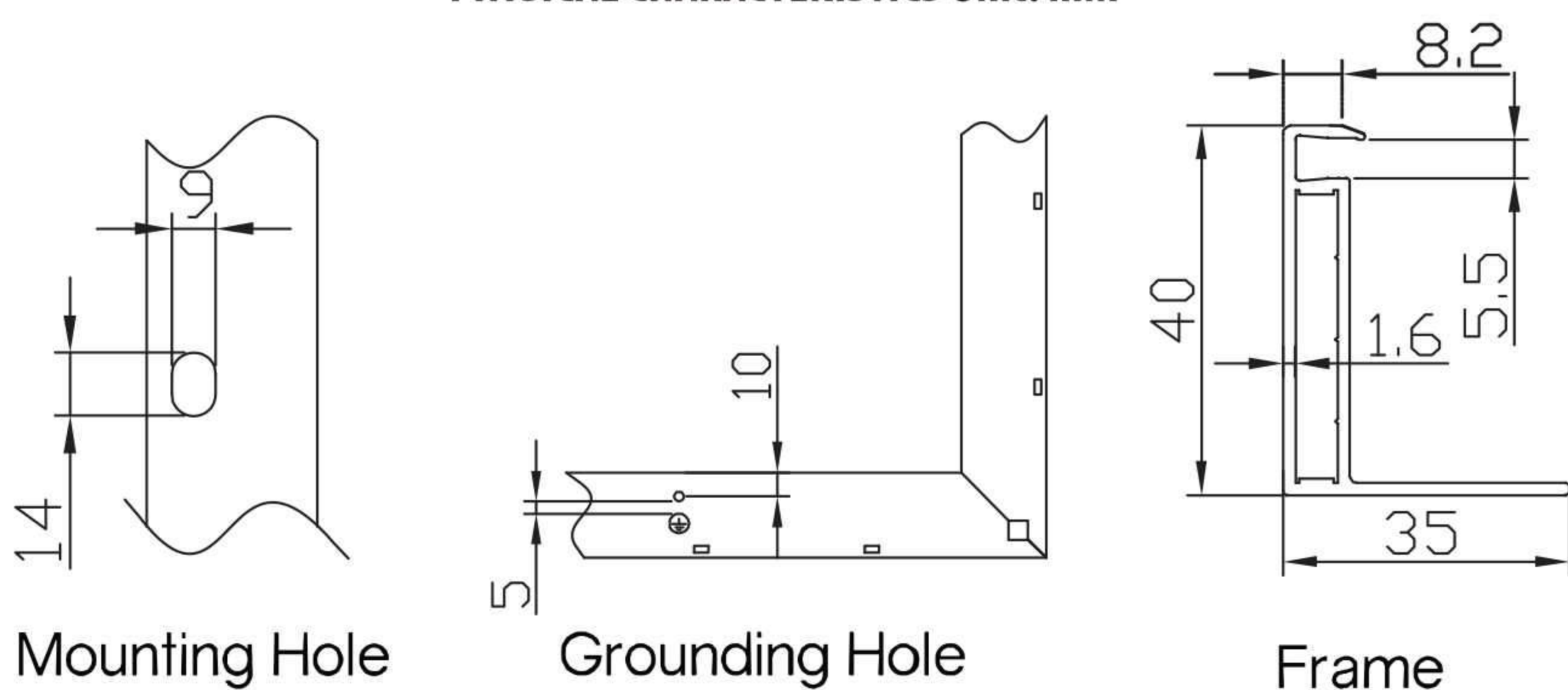
PERFORMANCE TESTED
SALT MIST RESISTANT
PHOTOVOLTAIC PRODUCT



PERFORMANCE TESTED
CORROSIVE GAS (NH₃) RESISTANT
PHOTOVOLTAIC PRODUCT

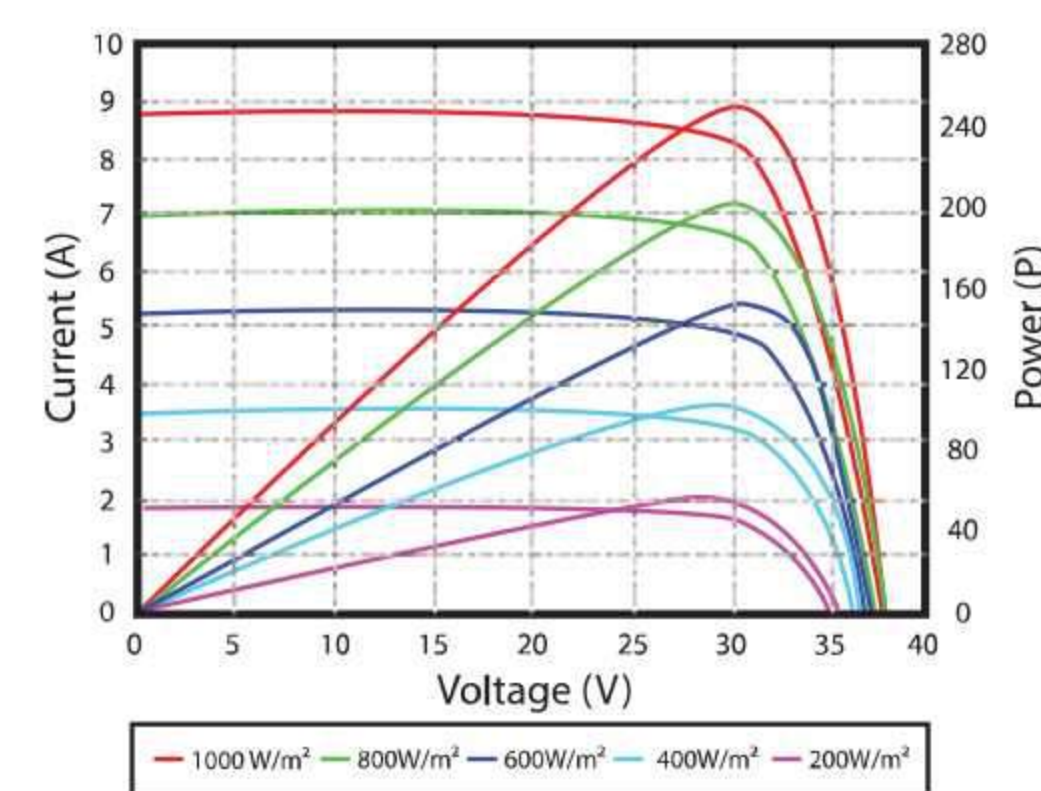
Item		Module type GSM6-60 285/290/295/300W			
Electrical parameters at STC					
Maximum Power	Pmax(W)	285W	290W	295W	300W
Power Tolerance	W	0~+5W	0~+5W	0~+5W	0~+5W
Tolerance	(%)	±3%	±3%	±3%	±3%
Open Circuit Voltage	Voc(V)	38.40	38.64	39.06	39.82
Short Circuit Current	Isc(A)	9.59	9.64	9.69	9.74
Maximum Power Voltage	Vmpp(V)	31.74	32.10	32.52	32.88
Maximum Power Current	Impp(A)	9.00	9.05	9.10	9.33
Module Efficiency	(%)	17.50	17.80	18.10	18.40
Solar Cell Efficiency	(%)	19.90	20.20	20.60	20.90
STC: Irradiance 1000W/m ² , Cell temperature 25°C, AM1.5					
Electrical parameters at NOCT					
Maximum Power	Pmax(W)	212W	216W	220W	223W
Open Circuit Voltage	Voc(V)	3.56	35.78	36.17	36.39
Short Circuit Current	Isc(A)	7.77	7.81	7.85	7.89
Maximum Power Voltage	Vmpp(V)	29.93	30.27	30.67	31.01
Maximum Power Current	Impp(A)	7.08	7.14	7.17	7.19
NOCT: Irradiance 800W/m ² , Ambient temperature 20°C, Wind speed 1 m/s					
Mechanical Characteristics					
Cell Type	(mm)	156 x 156(Mono-Crystalline Silicon)			
Number of Cells	(Pcs)	60			
Maximum System Voltage	(V)	DC1000			
Temp. Coeff of Voc	(%/K)	-0.45%/K			
Temp. Coeff of Isc	(%/K)	+0.026%/K			
Temp. Coeff. Of Pmax	(%/k)	-0.414%/K			
Operating Temperature	(°C)	-40°C to +85°C			
Nominal Operating Cell Temperature	(°C)	45±2			
Max Series Fuse	(A)	15			
Insulation	(MΩ)	50			
Wind Bearing	(Pa)	≤5400			
Pressure Bearing	(Pa)	≤2400			

PHYSICAL CHARACTERISTICS Unit: mm

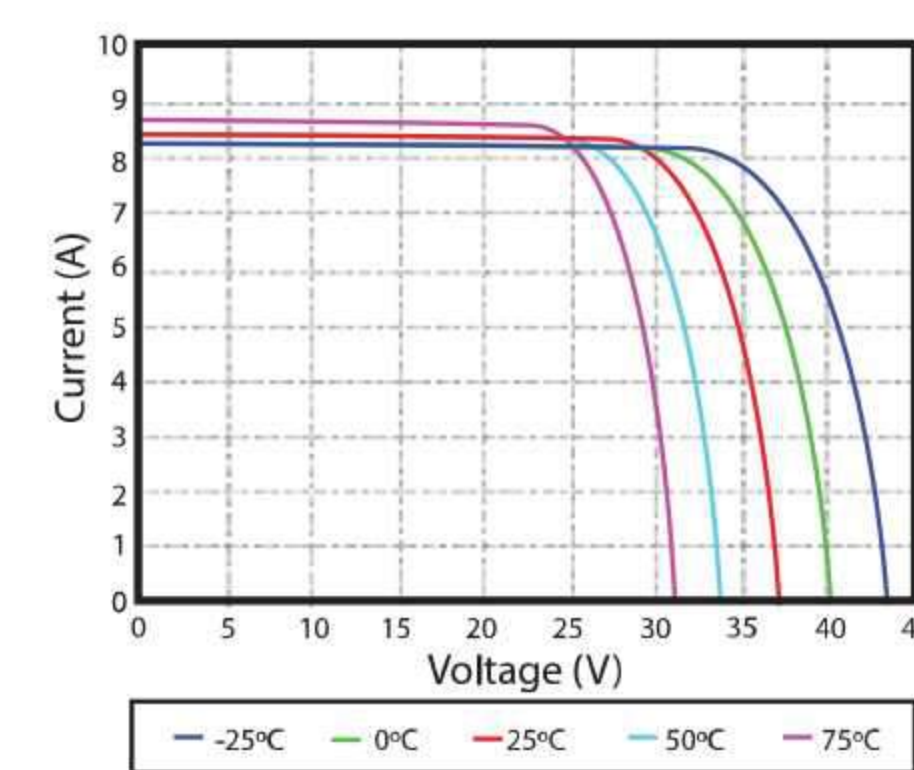


NOCT**	45°C ±2°C
Module efficiency reduction at 200 W/m ² ***	-0.6 (±0.3)% abs
Max. System Voltage	1000 V DC
IP Protection Level	IP 65
Module Technology	Glass-Foil Laminate with anodized aluminum frame
Module Design	Cover material: Solar glass with antireflection surface treatment, 0.13 in (3.2mm); Encapsulation: EVA-Solar Cells -EVA; Back material
No. and Type of Solar Cells	60 crystalline solar cells 6.14 x 6.14 in (156 x 156 mm) 0.007 in ± 1.18 x 103 (180 um ± 30 μm)
Cables	Junction box with MC4 connectors, cables: 2 x 3.28 ft/0.006 in ² (2 x 1 m/4 mm ²)
Junction Box	IP 67 rated, with 3 bypass diodes
Dimensions (lxwxh)	64.96 x 39.25 x 1.57 in (1650 x 997 x 40mm)
Weight	42.8 lbs/ 19.4 kg
Operating Temperature Range	-40 ... +185°F (-40 ... +85°C)
Ambient Temperature Range	-40 ... +113°F (-40 ... +45°C)
Mechanical Ratings	Suction pressure and load of 50 lb/ft ² (2400 Pa) approved (Wind speed 81 mph (130 km/h) with safety factor 3), load of 5400 Pa approved
Certification	IEC 61215 : 2005 IEC 61730 -1/-2 : 2004 IEC 61701 : 1995 (salt mist resistant) DLG Focus Test (ammonia resistant) UL 1703 approved ETL Fire-Rating Type 2 UL 1703 Fire Class: C FSEC listing UNI 9177 Class 1 EN 13501- 1 Class E
Positive Sorting	-0 Wp / +4.99 Wp
Pallet Dimensions in weight / size	1177.3 lbs (66.93 x 44.49 x 45.28) inches 26 modules per pallet
Module Qty per Container	728pcs/40'HQ
Product Warranty	12 years
Performance Warranty	25 years, according to the Warranty Conditions of GermanSolar Linear Warranty

I-V Curves



Current-Voltage and Power-Voltage Curves at Different Irradiances



Current-Voltage Curves at Different Temperatures