

SN10-60

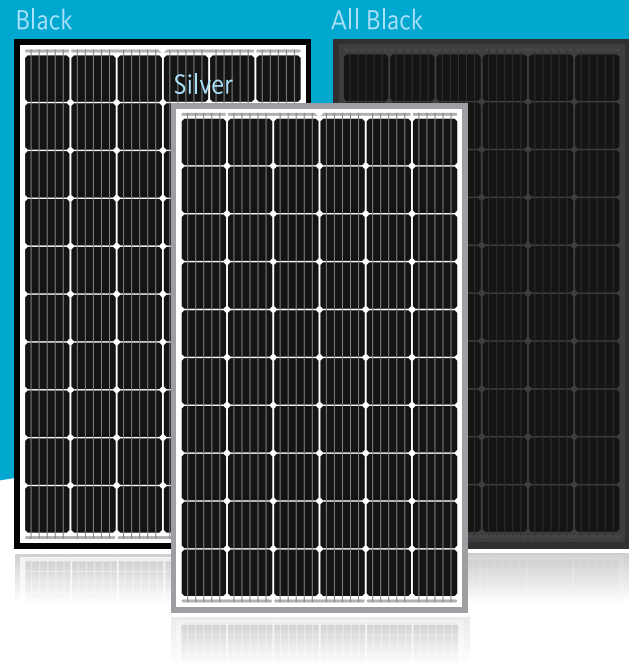
305~315W

STANDARD Series

1,000V Monocrystalline PV Module

CERTIFICATIONS

IEC 61215, 61730 / UL 61730
 ISO 9001 : Quality Management System
 ISO 14001 : Environmental Management System
 ISO 45001 : Occupational Health & Safety System



FEATURES



Enhanced External Load/Impact

Snow Load : 5,400 Pa
 Wind Load : 2,400 Pa



PID Resistance

Enhanced Potential Induced Degradation Resistance



Fire Safety

Spread of Flame Class A
 Burning Brand Class C



Higher output power

0~+5Wp,
 Higher than rated power



Excellent performance under low light conditions

Cloudy days, mornings and evenings



Various Options Available

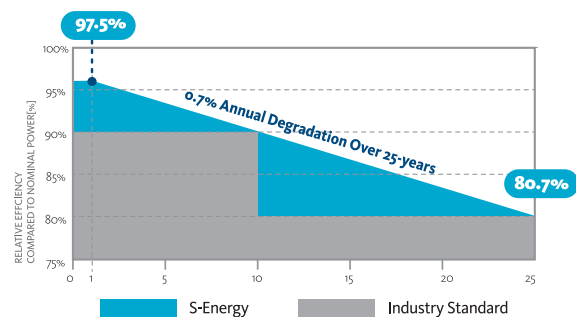
Black or Silver Frame



WARRANTY

12 -YEARS PRODUCT WARRANTY

25 -YEARS LINEAR PERFORMANCE WARRANTY



S-Energy Co., Ltd.

S-Energy America
 (SEAI America, Inc.)

S-Energy Chile
 (S-Energy Chile SpA)

S-Energy Japan_Osaka Headquarters
 (S-Energy Japan Co., Ltd.)

S-Energy Japan_Tokyo Branch
 (S-Energy Japan Co., Ltd.)

A 20 PanGyoYeok-Ro 241BeonGil, BunDang-Gu, SeongNam-Si, GyeongGi-Do, Korea (3F MiraeAsset Tower)
 T +82-70-4339-7100 F +82-70-4339-7199 E inquiry@s-energy.com

A 18022 Cowan, Suite 260, Irvine, CA 92614, U.S.A.
 T +1-949-281-7897 F +1-949-281-7893 E sales.us@s-energy.com

A Av. Cerro El Plomo N°5420, Office 402, Las Condes, Santiago, Chile
 T +56-22-604-8111 E sales.cl@s-energy.com

A 8F, MJ Abeno Bldg., 1-5-1, Maruyama-dori, Abeono-ku, Osaka-shi, Osaka, Japan
 T +81-6-4703-5388 F +81-6-4703-5387 E sales.jp@s-energy.com

A Fukuroku Building 2F, 2-7 Kanda-Tsukasamachi, Chiyoda-ku, Tokyo, Japan
 T +81-3-6261-3759 F +81-3-6261-3769 E sales.jp@s-energy.com

Homepage

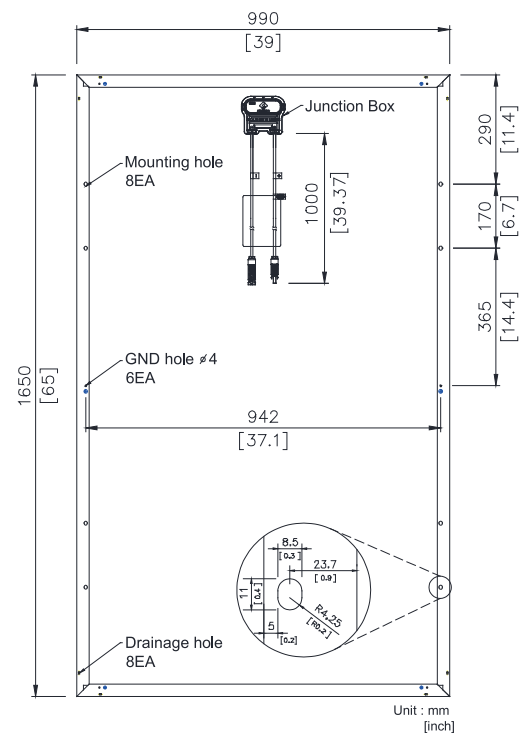


ELECTRICAL CHARACTERISTICS

STC (Irradiance 1,000W/m ² , module temperature 25°C, AM=1.5)	SN305M-10	SN310M-10	SN315M-10
Rated Power (Pmax)	305W	310W	315W
Voltage at Pmax (Vmp)	33,2V	33,6V	34,0V
Current at Pmax (Imp)	9,18A	9,23A	9,27A
Warranted Minimum Pmax	305W	310W	315W
Short-Circuit Current (Isc)	9,71A	9,74A	9,76A
Open-Circuit Voltage (Voc)	40,1V	40,4V	40,5V
Module Efficiency	18,7%	19,0%	19,3%
Operating Module Temperature	-40°C to + 85°C		
Maximum System Voltage	1,000V		
Fuse Rating	15A		
Maximum Reverse Current	20,25A		
Power Tolerance	0 ~ +5W		

MECHANICAL CHARACTERISTICS

Solar Cells	Monocrystalline Cells 156,75x156,75mm
Number of Cells	60 Cells (6x10 Matrix)
Dimensions	1,650 x 990 x 40mm
Front Load	5,400Pa
Rear Load	2,400Pa
Weight	18,5kg
Glass	3,2mm High-Transmittance Low Iron Tempered Glass
Frame	Anodized Aluminum Frame (Silver / Black)
J-Box	≥ IP67 with 3 bypass diodes
Output Cables	PV Wire (PV1-F), 12AWG (4mm ²), Cable Length : 1,000mm
Connectors	MC4 Original, Compatible

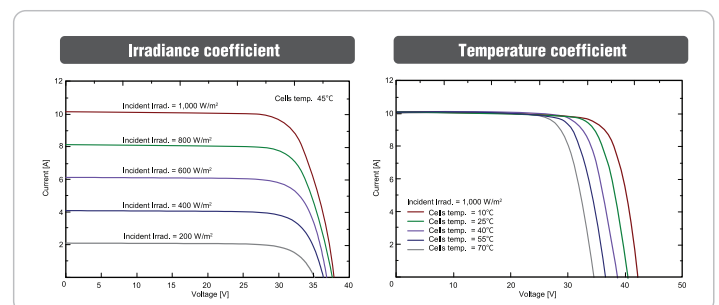


TEMPERATURE CHARACTERISTICS

Temperature coefficient of Isc	0,046% / °C
Temperature coefficient of Voc	-0,282% / °C
Temperature coefficient of power	-0,394% / °C
NOCT (Tair 20°C ; Irradiance 800W/m ² ; Wind 1m/s)	45±2 °C

PACKING CONFIGURATION

Container	20'	40'
Modules Per Pallet	27pcs	27pcs
Pallets Per Container	10pallets	28pallets
Modules Per Container	270pcs	756pcs



REMARKS

- Pmax measurement tolerance : ±2.5%
- S-Energy uses triple A class simulator.
- Specification subject to change without prior notice.
- S-Energy reserves the rights of final interpretation.

NOTES

- Installation instruction supplied with the module must be duly followed.
- For further information which is not mentioned on installation guides or directions, please contact to our technical service department.
- E-mail : Inquiry@s-energy.com