

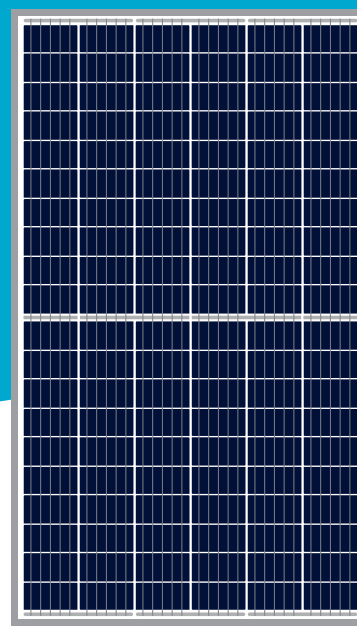
SC15-60 PAE

280~295W

HALF-CUT Series

1,500V Polycrystalline PV Module

Silver



CERTIFICATIONS

IEC 61215, 61730 / UL 61730
 ISO 9001 : Quality Management System
 ISO 14001 : Environmental Management System
 ISO 45001 : Occupational Health & Safety System

FEATURES



Enhanced External Load/Impact

Snow Load : 5,400 Pa
 Wind Load : 2,400 Pa



PID Resistance

Enhanced Potential Induced Degradation Resistance



Fire Safety

Spread of Flame Class A
 Burning Brand Class C



Higher output power

0~+5Wp,
 Higher than rated power



Excellent performance under low light conditions

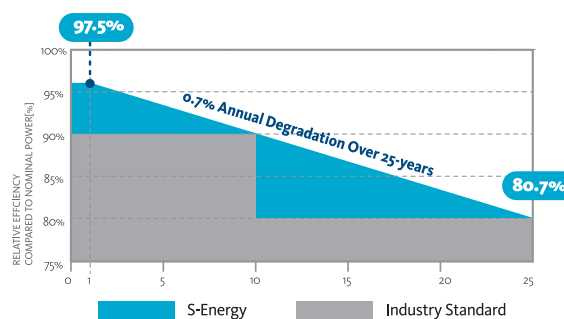
Cloudy days, mornings and evenings



WARRANTY

12 -YEARS PRODUCT WARRANTY

25 -YEARS LINEAR PERFORMANCE WARRANTY



S-Energy Co., Ltd.

S-Energy America
 (SEAI America, Inc.)

S-Energy Chile
 (S-Energy Chile SpA)

S-Energy Japan_Osaka Headquarters
 (S-Energy Japan Co., Ltd.)

S-Energy Japan_Tokyo Branch
 (S-Energy Japan Co., Ltd.)

A 20 PanGyoYeok-Ro 241BeonGil, BunDang-Gu, SeongNam-Si, GyeongGi-Do, Korea (3F MiraeAsset Tower)
 T +82-70-4339-7100 F +82-70-4339-7199 E inquiry@s-energy.com

A 18022 Cowan, Suite 260, Irvine, CA 92614, U.S.A.
 T +1-949-281-7897 F +1-949-281-7893 E sales.us@s-energy.com

A Av. Cerro El Plomo N°5420, Office 402, Las Condes, Santiago, Chile
 T +56-22-604-8111 E sales.cl@s-energy.com

A 8F, MJ Abeno Bldg., 1-5-1, Maruyama-dori, Abeono-ku, Osaka-shi, Osaka, Japan
 T +81-6-4703-5388 F +81-6-4703-5387 E sales.jp@s-energy.com

A Fukuroku Building 2F, 2-7 Kanda-Tsukasamachi, Chiyoda-ku, Tokyo, Japan
 T +81-3-6261-3759 F +81-3-6261-3769 E sales.jp@s-energy.com

Homepage

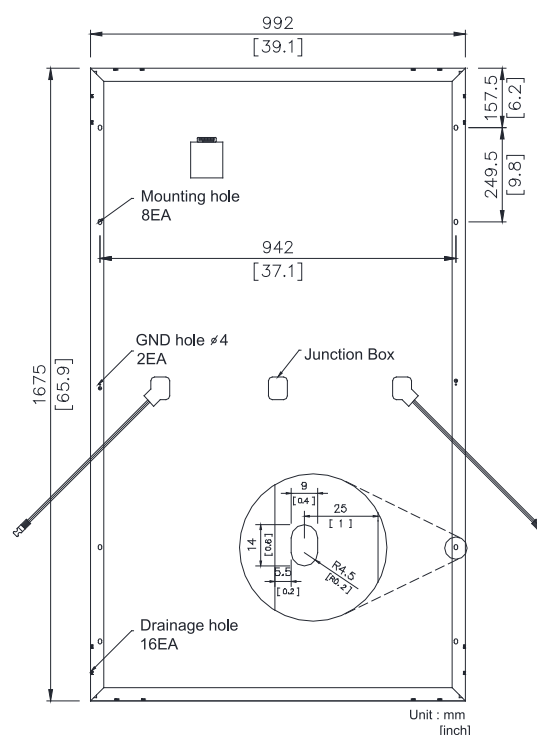


ELECTRICAL CHARACTERISTICS

STC (Irradiance 1,000W/m ² , module temperature 25°C, AM=1.5)	SC15-60PAE-280D	SC15-60PAE-285D	SC15-60PAE-290D	SC15-60PAE-295D
Rated Power (Pmax)	280W	285W	290W	295W
Voltage at Pmax (Vmp)	31,25V	31,43V	31,60V	31,77V
Current at Pmax (Imp)	8,97A	9,08A	9,19A	9,30A
Warranted Minimum Pmax	280W	285W	290W	295W
Short-Circuit Current (Isc)	9,32A	9,41A	9,50A	9,59A
Open-Circuit Voltage (Voc)	38,62V	38,80V	38,97V	39,12V
Module Efficiency	16,85%	17,15%	17,45%	17,75%
Operating Module Temperature	-40°C to + 85°C			
Maximum System Voltage	1,500V			
Fuse Rating	20A			
Maximum Reverse Current	27A			
Power Tolerance	0 ~ +5W			

MECHANICAL CHARACTERISTICS

Solar Cells	Polycrystalline Cells 156,75x78,375mm
Number of Cells	60 Half Cells (6x20 Matrix)
Dimensions	1,675 x 992 x 35mm
Front Load	5,400Pa
Rear Load	2,400Pa
Weight	18,5kg
Glass	3,2mm High-Transmittance Low Iron Tempered Glass
Frame	Anodized Aluminum Frame (Silver)
J-Box	≥ IP67 with 3 bypass diodes
Output Cables	PV Wire (PV1-F), 12AWG (4mm ²), Cable Length : 300/1,000mm
Connectors	MC4 Original, Compatible

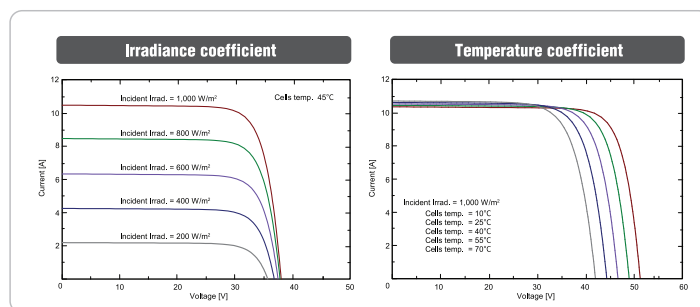


TEMPERATURE CHARACTERISTICS

Temperature coefficient of Isc	0,057 % / °C
Temperature coefficient of Voc	-0,308 % / °C
Temperature coefficient of power	-0,406 % / °C
NOCT (Tair 20°C ; Irradiance 800W/m ² ; Wind 1m/s)	45±2 °C

PACKING CONFIGURATION

Container	20'	40'
Modules Per Pallet	31pcs	31pcs
Pallets Per Container	12pallets	26pallets
Modules Per Container	372pcs	806pcs



REMARKS

- Pmax measurement tolerance : ±2.5%
- S-Energy uses triple A class simulator.
- Specification subject to change without prior notice.
- S-Energy reserves the rights of final interpretation.

NOTES

- Installation instruction supplied with the module must be duly followed.
- For further information which is not mentioned on installation guides or directions, please contact to our technical service department.
- E-mail : Inquiry@s-energy.com