

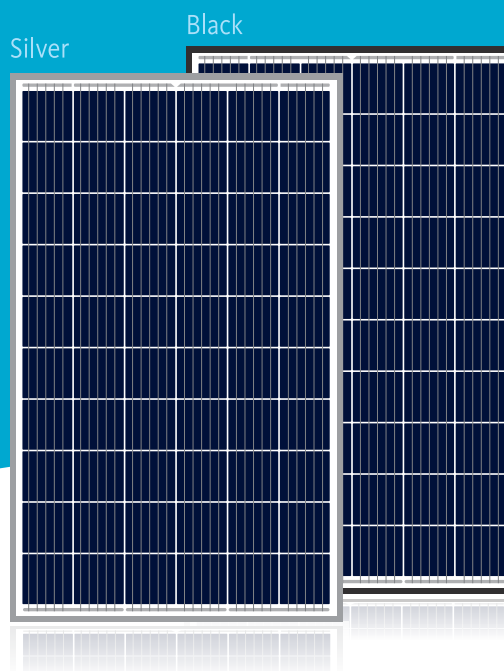
SN10-60 265~280W

STANDARD Series

1,000V Polycrystalline PV Module

CERTIFICATIONS

IEC 61215, 61730 / UL 61730
 ISO 9001 : Quality Management System
 ISO 14001 : Environmental Management System
 ISO 45001 : Occupational Health & Safety System



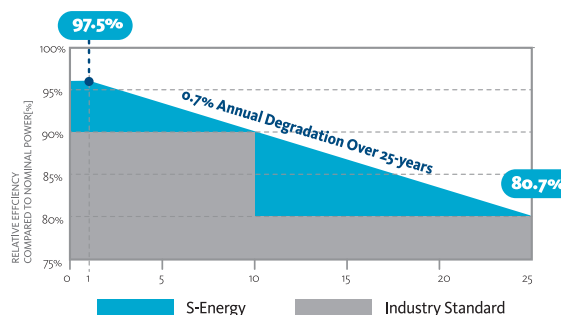
FEATURES

- Enhanced External Load/Impact**
 Snow Load : 5,400 Pa
 Wind Load : 2,400 Pa
- PID Resistance**
 Enhanced Potential Induced Degradation Resistance
- Fire Safety**
 Spread of Flame Class A
 Burning Brand Class C
- Higher output power**
 0~+5Wp,
 Higher than rated power
- Excellent performance under low light conditions**
 Cloudy days, mornings and evenings
- Various Options Available**
 Black or Silver Frame



WARRANTY

12 -YEARS PRODUCT WARRANTY
25 -YEARS LINEAR PERFORMANCE WARRANTY



S-Energy Co., Ltd.

S-Energy America
(SEAI America, Inc.)

S-Energy Chile
(S-Energy Chile SpA)

S-Energy Japan_Osaka Headquarters
(S-Energy Japan Co., Ltd.)

S-Energy Japan_Tokyo Branch
(S-Energy Japan Co., Ltd.)

▲ 20 PanGyoYeok-Ro 241BeonGil, Bundang-Gu, SeongNam-Si, GyeongGi-Do, Korea (3F MiraeAsset Tower)
 T +82-70-4339-7100 F +82-70-4339-7199 E inquiry@s-energy.com

▲ 18022 Cowan, Suite 260, Irvine, CA 92614, U.S.A.
 T +1-949-281-7897 F +1-949-281-7893 E sales.us@s-energy.com

▲ Av. Cerro El Plomo N°5420, Office 402, Las Condes, Santiago, Chile
 T +56-22-604-8111 E sales.cl@s-energy.com

▲ 8F, MJ Abeno Bldg., 1-5-1, Maruyama-dori, Abeono-ku, Osaka-shi, Osaka, Japan
 T +81-6-4703-5388 F +81-6-4703-5387 E sales.jp@s-energy.com

▲ Fukuroku Building 2F, 2-7 Kanda-Tsukasamachi, Chiyoda-ku, Tokyo, Japan
 T +81-3-6261-3759 F +81-3-6261-3769 E sales.jp@s-energy.com

Homepage

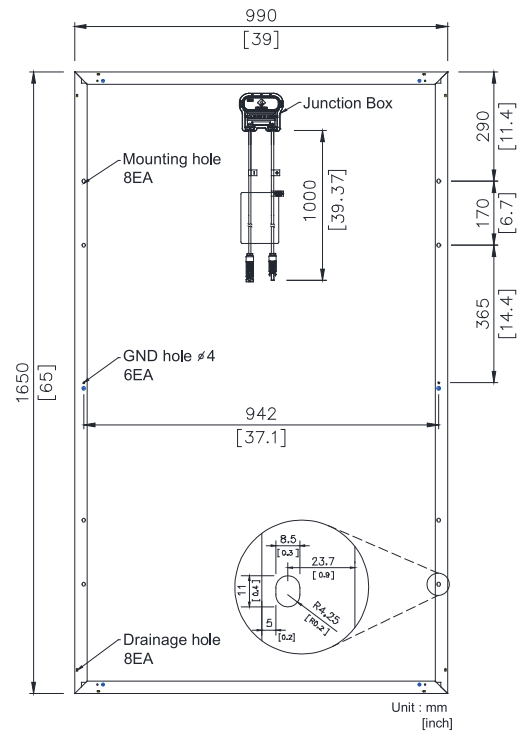


ELECTRICAL CHARACTERISTICS

STC (Irradiance 1,000W/m ² , module temperature 25°C, AM=1.5)	SN265P-10	SN270P-10	SN275P-10	SN280P-10
Rated Power (Pmax)	265W	270W	275W	280W
Voltage at Pmax (Vmp)	30,7V	30,9V	31,2V	31,6V
Current at Pmax (Imp)	8,64A	8,72A	8,81A	8,85A
Warranted Minimum Pmax	265W	270W	275W	280W
Short-Circuit Current (Isc)	9,04A	9,10A	9,16A	9,19A
Open-Circuit Voltage (Voc)	38,1V	38,3V	38,6V	38,7V
Module Efficiency	16,2%	16,5%	16,8%	17,1%
Operating Module Temperature	-40°C to + 85°C			
Maximum System Voltage	1,000V			
Fuse Rating	15A			
Maximum Reverse Current	20,25A			
Power Tolerance	0 ~ +5W			

MECHANICAL CHARACTERISTICS

Solar Cells	Polycrystalline Cells 156,75x156,75mm
Number of Cells	60 Cells (6x10 Matrix)
Dimensions	1,650 x 990 x 40mm
Front Load	5,400Pa
Rear Load	2,400Pa
Weight	18,5kg
Glass	3,2mm High-Transmittance Low Iron Tempered Glass
Frame	Anodized Aluminum Frame (Silver / Black)
J-Box	≥ IP67 with 3 bypass diodes
Output Cables	PV Wire (PV1-F), 12AWG (4mm ²), Cable Length : 1,000mm
Connectors	MC4 Original, Compatible

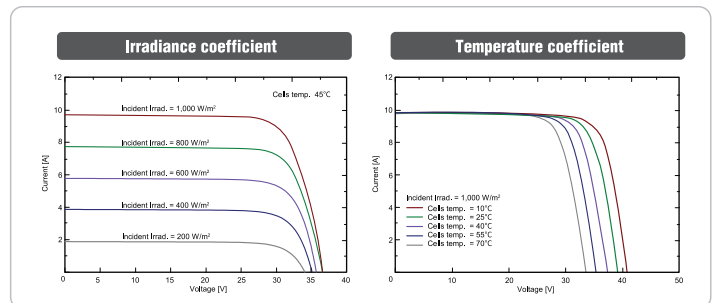


TEMPERATURE CHARACTERISTICS

Temperature coefficient of Isc	0,056% / °C
Temperature coefficient of Voc	-0,301% / °C
Temperature coefficient of power	-0,398% / °C
NOCT (Tair 20°C ; Irradiance 800W/m ² ; Wind 1m/s)	45±2 °C

PACKING CONFIGURATION

Container	20'	40'
Modules Per Pallet	27pcs	27pcs
Pallets Per Container	10pallets	28pallets
Modules Per Container	270pcs	756pcs



REMARKS

- Pmax measurement tolerance : ±2.5%
- S-Energy uses triple A class simulator.
- Specification subject to change without prior notice.
- S-Energy reserves the rights of final interpretation.

NOTES

- Installation instruction supplied with the module must be duly followed.
- For further information which is not mentioned on installation guides or directions, please contact to our technical service department.
- E-mail : Inquiry@s-energy.com